

Electromagnetically Compatible Installation Guide Book







Inverter Series

SJ700-2 / SJ700B / SJ700D-3

C O N T E N T S

CHAPTER 1 – WARNINGS AND INSTRUCTIONS	1-1
CHAPTER 2 – ELECTROMAGNETICALLY COMPATIBLE INSTALLATION OF DRIVES AND DRIVE SYSTEMS.....	2-1
INTRODUCTION.....	2-1
SELECTION OF LINE FILTER TO REDUCE LINE-CONDUCTED INTERFERENCE	2-2
FILTER INSTALLATION	2-3
MINIMIZING RADIATED INTERFERENCE.....	2-6
USING EMC COMPLIANT CABLES	2-7
INSTALLING THE MOTOR CABLE.....	2-8
INSTALLING CONTROL AND SIGNAL LINES	2-8
SHIELDING AND GROUNDING FOR INSTALLATION IN SWITCH CABINETS.....	2-9
CHAPTER 3 – INFLUENCE OF THE MOTOR CABLE LENGTH.....	3-1
CHAPTER 4 – FURTHER NOTES.....	4-1
INFLUENCE OF GROUND FAULT MONITORING DEVICES	4-1
COMPONENTS SUSCEPTIBLE TO INTERFERENCE.....	4-1
CHAPTER 5 – TECHNICAL SPECIFICATIONS AND DIMENSIONS OF SJ700/SJ700B FILTER	5-1
CHAPTER 6 – HARMONICS	6-1

Chapter 1 – Warnings and Instructions

-  **WARNING** The motor cable should be kept **as short as possible** in order to avoid electromagnetic emission as well as capacitive currents. The rapid voltage changes of the Hitachi SJ700/SJ700B series cause capacitive currents through the motor cable stray capacitances.
The cable length increases the capacitive current and electromagnetic emission.
It is recommended that the motor cable length does not exceed 50m.
It is always recommended to install output AC-Reactors (motor chokes) if the cable length exceeds 50 m.
-  **WARNING** The filters contain capacitors between the phases and the phases to ground as well as suitable discharging resistors. But after switching off the line voltage you should wait a minimum of 60 seconds before removing protective covers or touching terminals etc. Ignore this and you may get an **electric shock!**
-  **WARNING** The protective conductor connection between filter and drive must be designed as a solid and permanent installation. Plug-in connections are **not permissible**.
-  **WARNING** The use of ground fault monitoring devices is not recommended. Should they be compulsory in certain applications for safety reasons, you should choose monitoring devices which are suited for DC-, AC- and HF-ground currents.
-  **WARNING** The thermal capacity of the line filter is guaranteed up to a **maximum motor cable length of 50 m**.
-  **WARNING** The line filters have been developed for use in grounded systems. **Use in ungrounded systems is not recommended.**

If installed according to the following directions, the frequency inverter comply with the following standards:

Emmissions:	EN 61800-3 (EN 55011 group 1, Category C1/C2/C3[Class B/A])
Immunity:	EN 61800-3, industrial environments

Chapter 2 – Electromagnetically Compatible Installation of Drives and Drive Systems

Introduction

This brochure describes the electromagnetically compatible setup of your drive or your drive system. (Electro Magnetic Compatibility = EMC)

Read this information carefully and follow the instructions. **If necessary, provide this information to third parties.**

HF interference results from rapid switching of electric currents and voltages. All AC, DC and servo drives very rapidly switch large currents and voltages to optimally supply connected electric motors. They are thus major sources of interference, generating both line-conducted and radiated interference.

The additional use of line filters, also called interference suppression filters, and installation in a metal housing or a switch cabinet further improve the existing interference immunity. For the best possible damping of interference, special line filters have been developed which guarantee you easy assembly and installation along with the necessary electrical reliability.

However, effective EMC is only ensured if the suitable filter is selected for the particular drive and installed in accordance with these EMC recommendations.

Selection of line filter to reduce line-conducted interference

To reduce line-conducted interference, use the appropriate line filter for each frequency inverter. The table below show you a list of the available line filters for your Hitachi frequency inverter.

The line filters up to 53A rated current are built in the so-called footprint style, are fitted behind the respective frequency inverter, and thus require no additional space for installation. These filters are intended for installation in switch cabinets as standard.

Vertical mounting next to the frequency inverter is also possible.

The line filters from 64A to 840A rated current are built in booktype style, and can be installed beside the frequency inverter.

Frequency Inverter			Line Power specification	Line Filter
SJ700-007HFEF2		SJ700D-007HFEF3	3 ~ 380 V -15% to 460V +5%	FS25108-10-07
SJ700-015HFEF2		SJ700D-015HFEF3		
SJ700-022HFEF2		SJ700D-022HFEF3		
SJ700-040HFEF2		SJ700D-040HFEF3 (CT)		
		SJ700D-040HFEF3 (VT)		FPFB-266-G-3-013
SJ700-055HFEF2	SJ700B-075HFF	SJ700D-055HFEF3		FS25108-28-07
SJ700-075HFEF2	SJ700B-110HFF	SJ700D-075HFEF3		
SJ700-110HFEF2	SJ700B-150HFF	SJ700D-110HFEF3		
SJ700-150HFEF2	SJ700B-185HFF	SJ700D-150HFEF3		
SJ700-185HFEF2	SJ700B-220HFF	SJ700D-185HFEF3		FS25108-53-07
SJ700-220HFEF2	SJ700B-300HFF	SJ700D-220HFEF3		
SJ700-300HFEF2		SJ700D-300HFEF3 (CT)		FS25108-64-07
	SJ700B-370HFF	SJ700D-300HFEF3 (VT)		FS25108-77-07
SJ700-370HFEF2	SJ700B-450HFF	SJ700D-370HFEF3		FS25108-125-07
SJ700-450HFEF2	SJ700B-550HFF	SJ700D-450HFEF3		
SJ700-550HFEF2		SJ700D-550HFEF3 (CT)		FS25108-149-07
	SJ700B-750HFF	SJ700D-550HFEF3 (VT)		
SJ700-750HFEF2	SJ700B-900HFF	SJ700D-750HFEF3		BTFB-266-G-3-220
SJ700-900HFEF2	SJ700-1100HFF	SJ700D-900HFEF3		BTFB-266-G-3-260
SJ700-1100HFEF2	SJ700B-1320HFF	SJ700D-1100HFEF3		
SJ700-1320HFEF2		SJ700D-1320HFEF3 (CT)		FS25108-400-99
	SJ700B-1600HFF	SJ700D-1320HFEF3 (VT)		
SJ700-1850HFE2 *				FS25108-462-99
SJ700-2200HFE2 *				FS25108-630-99
SJ700-3150HFE2 *				FS25108-840-99
SJ700-4000HFE2 *				

Note: All filters are designed for 50/60Hz.

*: For 185kW or more inverters, an inverter, a DC choke and a filter must be mounted inside of a metal cabinet.

Filter installation

The connecting cable between filter and frequency inverter must be as short as possible and **laid separate from other cables/lines**.

As user you must ensure that the HF impedance between frequency inverter, filter and ground is as small as possible:

- Remove paint and insulating material between the individual mounting points.
- See to it that the connections are metallic and have the largest possible areas.
- Use conductive contact grease as anticorrosive.

Anodized and yellow-chromated surfaces, e.g. cable/standard-section rail, screws, etc., have a large HF-impedance.

This paint must thus be removed at mounting points.

Ensure that the protective conductor terminal (PE) of the filter is properly connected with the protective conductor terminal of the frequency inverter. An **HF ground connection** via metal contact between the housings of the filter and the frequency inverter, or solely via cable shield, **is not permitted as protective conductor connection**. The **filter must be solidly and permanently connected with the ground potential** so as to preclude the danger of electric shock upon touching the filter if a fault occurs. You can achieve this by:

- connecting it with a grounding conductor of at least 10mm².
- connecting a second grounding conductor, connected with a separate grounding terminal, parallel to the protective conductor.

The cross section of each single protective conductor terminal must be designed for the required nominal load.

Conductor loops act like antennas, especially when they encompass large areas. Consequently:

- Avoid unnecessary conductor loops.
- Avoid parallel arrangement of “clean” and interference-prone conductors over longer distances.

The line filters have been developed for use in grounded systems. Use of the line filters in ungrounded systems is not recommended, because in these applications

- loss current to ground increases.
- the effect of the filter is reduced.

The amount of line-conducted and radiated interference increases in proportion to elementary frequency in frequency inverter.

The amount of line-conducted interference also increases as motor cable length increases.
Adherence to the interference limits for line-conducted interference is shown as follows:

Filter:FS25108-10-07

EN61800-3	Cable length	Inverter carrier frequency	Frequency inverter
Category C1	20m Max.	5kHz	SJ700-007,015,022,040HFEF2
Category C2	50m Max.		SJ700D-007,015,022HFEF3 SJ700D-040HFEF3 (CT)

Filter:FS25108-28-07,53-07,64-07,77-07,125-07,149-07

EN61800-3	Cable length	Inverter carrier frequency	Frequency inverter
Category C2	50m Max.	5kHz	SJ700-055,075,110,150,185, 220,300,370,450,550HFEF2
			SJ700B-075,110,150,185,220, 300,370,450,750HFF
			SJ700D-055,075,110,150,185, 220,300,370,450,550HFEF3

Filter:FPFB-266-G-3-013

EN61800-3	Cable length	Inverter carrier frequency	Frequency inverter
Category C2	50m Max.	3kHz	SJ700D-040HFEF3 (VT)

Filter:BTFB-266-G-3-220

EN61800-3	Cable length	Inverter carrier frequency	Frequency inverter
Category C2	50m Max.	3kHz	SJ700-750,900HFEF2
			SJ700B-900,1100HFF
			SJ700D-750,900HFEF3

Filter:BTFB-266-G-3-260,

FS25108-400-99 (combination with SJ700B-1600HFF, SJ700D-1320HFEF3 (VT))

EN61800-3	Cable length	Inverter carrier frequency	Frequency inverter
Category C2	20m Max.	3kHz	SJ700-1100,1320HFEF2
Category C3	50m Max.		SJ700B-1320,1600HFF
			SJ700D-1100,1320HFEF3

Filter:FS25108-400-99 (Combination with SJ700-1850HFE2),462-99, 630-99

EN61800-3	Cable length	Inverter carrier frequency	Frequency inverter
Category C3	50m Max.	2.1kHz	SJ700-1850,2200HFE2 3150HFE2

Note: SJ700-1850HFE2/2200HFE2 frequency range---3 to 50Hz, schealding wire between filter and inverter also DC choke and inverter.

Filter:FS25108-840-99

EN61800-3	Cable length	Inverter carrier frequency	Frequency inverter
Category C3	50m Max.	1.9kHz	SJ700-4000HFE2

Condition of Inverter: The internal filter of inverter is deactivated (SJ700-007 to 550HFEEF2, SJ700B-075 to 300HFF2, SJ700B-450 to 550HFF2)

Minimizing radiated interference

The frequency inverter of series SJ700/B/D meet the limits of EN61800-3, C1/C2/C3, for radiated interference, if the specified line filter is used and installation is performed according to our instructions.

The prerequisite is that all analog and digital control lines are laid shielded.

With compact systems, if for example the frequency inverter is communicating with the steering unit, in the same control cabinet connected at the same PE-Potential, the screen should be put on, on both sides with PE.

With branch systems, if for example the communicating steering unit is not in the same control cabinet and there is a distance between the systems, we recommend to put on the screen only on the side of the frequency inverter. If it is possible, direct in the cable entry section of the steering unit. This is very important, if there is a long distance between the system and you expect there can be different PE-Potential between the systems.

You should allow the effective shield area of these lines to remain as large as possible; i.e., do not move the shield further away than absolutely necessary. The distance between an interference source and an interference sink (interference-threatened device) essentially determines the effects of the emitted interference on the interference sink. The interference field emitted by the frequency inverter falls sharply with increasing distance. Please note that the emitted interference field (frequency range 30 MHz - 1 GHz) of a drive (drive system) is measured at a distance of 10 m in accordance with EN61800-3. Every device placed closer than 10 m to a source of interference will thus be impacted by appreciably higher interference amplitudes. For this reason, you should use only interference-free devices and maintain a minimum distance of 0.25 m from the drive. Devices which react sensitively to interference from electric and magnetic fields should be kept at least a distance of 0.25 m from the following components:

- Frequency inverter
- EMC input/output filters
- Input or output reactors/transformers
- Motor cable (even if shielded)
- External rheostat and its wiring (even if shielded)
- AC/DC commutator motors, including any attached separate fans
- DC intermediate circuit coupling/wiring (even if shielded)
- Connected inductors like relays, contactors, solenoid valves, brakes (even if shielded)

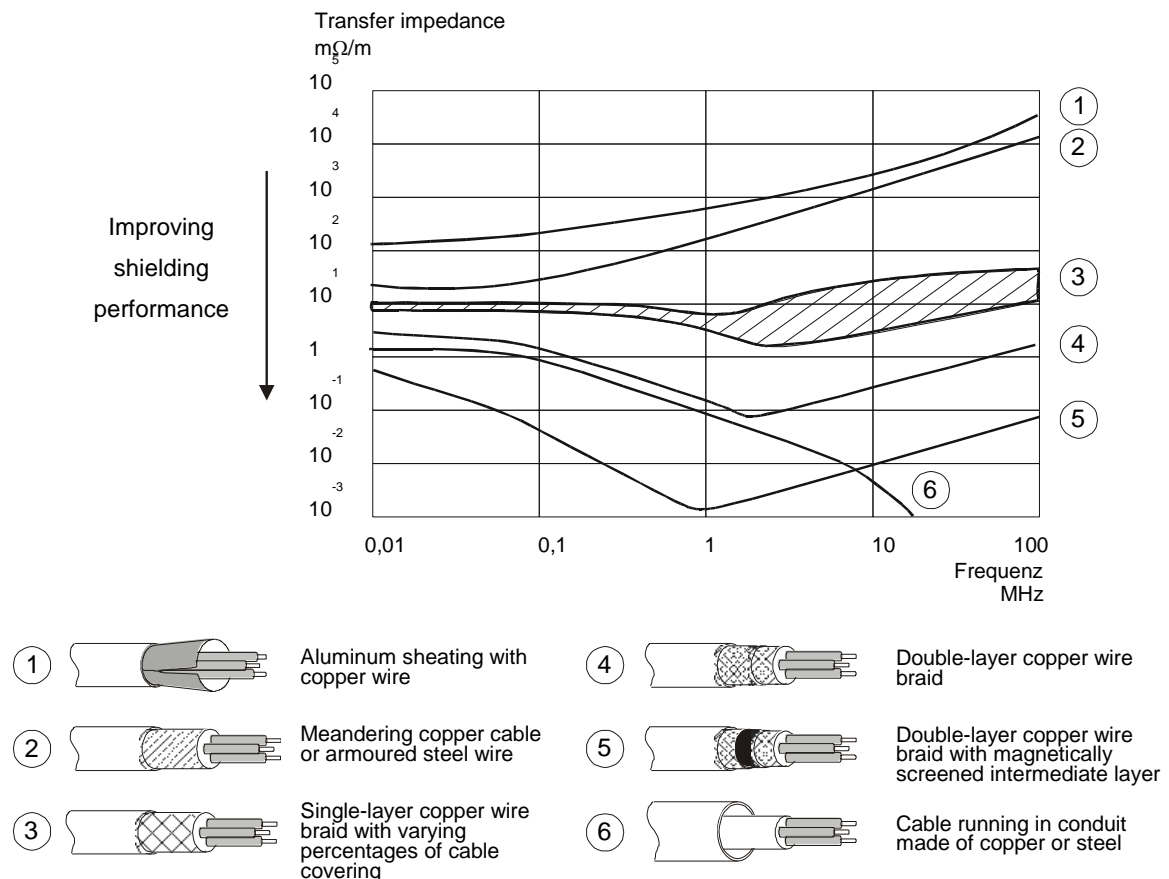
Very frequently, interference is coupled in through installation cables. You can minimize this influence by laying interfering cables separately, a minimum of 0.25 m from cables susceptible to interference. A particularly critical point is laying cables parallel over larger distances. If two cables intersect, the interference is smallest if they intersect at an angle of 90°. Cables susceptible to interference should therefore only intersect motor cables, intermediate circuit cables, or the wiring of a rheostat at right angles and never be laid parallel to them over larger distances.

Using EMC compliant cables

In order to reduce electromagnetic emission caused by motor cables and to increase EMI immunity for control cables, shielded cables have to be used. Using this shielding can reduce the interference coupled into and out of the cable (please also refer to the previous chapter „Minimizing radiated interference“). The effectiveness of the shielding heavily depends on the construction and the material of the shielding. The screening effectiveness can be characterized by the so called transfer impedance. This effectiveness or performance can be improved by keeping the transfer impedance as low as possible. The transfer impedance is mainly affected by the following variables:

- The cable covering, which is the cable area actually covered by the shielding. It is normally indicated as a percentage value and should be at least 85%.
- The shielding's design. Possible design alternatives are braided cables or shieldings made of metal conduit. These two types should be preferred when shielding is to be implemented.
- The contact (or transition) resistance between the individual stranded conductors of the shielding. The performance of the shielding improves if this resistance is kept as low as possible.

The following diagram shows the transfer impedance for various cable types. By comparing the cables' individual design, the shielding effectiveness can be estimated and a suitable cable be chosen.



Installing the motor cable

If you use an EMC line filter or would like to observe certain limits of line-conducted interference, the motor cable which you use must be shielded. **The shield is to be grounded on both sides, over a large area.** For this purpose, turn the shield through 180°, for instance, and make large-area contact (360°) with the metal PG screw connections. The illustration on the following page shows you the electromagnetically compatible motor wiring.

- **Use only copper mesh cable (CY) with 85% coverage. Foil shields often have a higher coupling impedance than mesh shields and are therefore unsuitable.**
- Some motors have terminal boxes and PG screw connections of plastic. In these cases, the shield should be connected on the motor side to the motor housing, with as large an area as possible, by means of a cable clamp.
- Some motors have a rubber gasket between terminal box and motor housing. Very often, the terminal boxes, and particularly the threads for the metal PG screw connections, are painted. Make sure there is always a good metallic connection between the shielding of the motor cable, the metal PG screw connection, the terminal box and the motor housing, and carefully remove this paint if necessary.
- The shielding should not be interrupted at any point in the cable. If the use of reactors, contactors, terminals or safety switches in the motor output is necessary, i.e., if the shield must be interrupted, then the unshielded section should be kept as small as possible. It is better to install the reactor, contactor, terminal or safety switch in a metal housing with as much HF damping as possible. The shield connection to the metal housing should again be made with the smallest possible HF impedance, as already described.

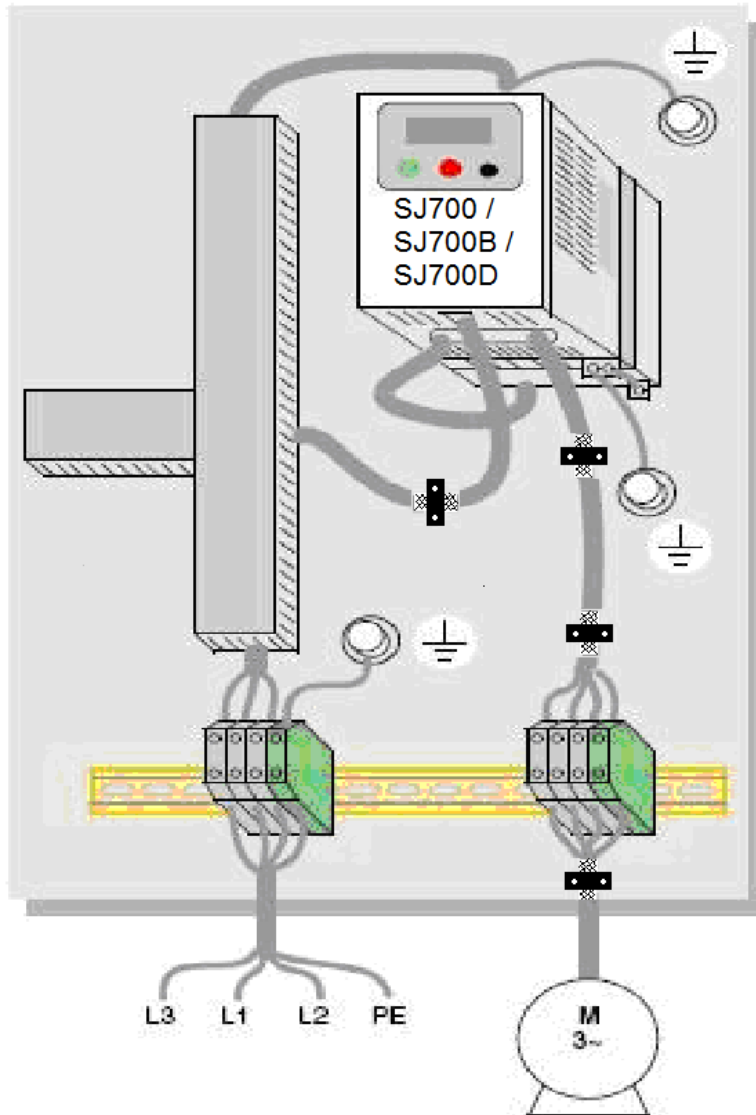
Should no shielded motor cable be available, lay the unshielded cable in a metal tube having the best possible shielding effect, for example. The metal tube should have good HF contact with the frequency inverter and the motor housing, e.g., by means of copper gauze tape. **Safety grounding always takes precedence over HF grounding.** If, for example, a braking chopper / rheostat is to be connected to the DC intermediate circuit, then this connecting line, too, must be shielded. The shield is to be connected on both sides, with a large area (e.g. to the protective ground terminal of the rheostat).

Installing control and signal lines

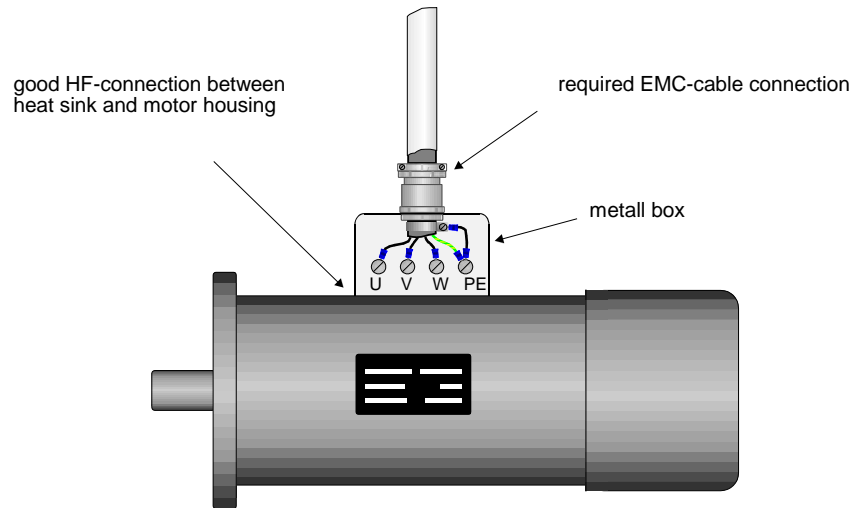
To ensure reliable operation of the frequency inverter, analog and digital control lines (angular momentum pulser connection, all analog inputs, the serial interfaces, etc.) should be laid shielded. You should allow the effective shielding surface to remain as large as possible, i.e., do not move the shield further away than absolutely necessary. The shield has to be applied on both sides on PE. As a matter of principle, the shielding of these lines should not be interrupted.

Shielding and grounding for installation in switch cabinets

Observe the requirements of European standard EN60204-1, "Electrical Equipment of Industrial Machinery." You get optimum EMC only if you properly arrange and mount the Hitachi frequency inverter, the appropriate line filter, and the other equipment which might be necessary, on a metal mounting plate in accordance with the following mounting instructions. The following figure shows a Hitachi inverter using a foot print filter:



The following figure shows the required EMC compliant connection to the motor:



Chapter 3 – Influence of the Motor Cable Length

Shielded motor cables have quite a high cable capacity towards ground, which increases linearly as cable length increases. A typical rule-of-thumb figure is 200 pF per meter of cable. But these figures vary among different types of cables and are also dependent on the current-carrying capacity. Long motor cables can give rise to the following:

- Frequency inverter and servo amplifiers give a pulse-width-modulated square-wave output voltage with quite steep slopes, which causes high reverse-charging currents in the cable capacities towards ground. This reverse-charging current must be additionally supplied by the device. Unwanted switch-off due to overload may occur.
- Long motor cables produce more line-conducted interference.
- Long motor cables lead to the triggering of a ground fault monitoring device that may be present.
- Long motor cables lead to thermal overload of the line filter due to the higher line-conducted interference.

If a motor choke of appropriate size is used, you have the following advantages:

- It can counteract unwanted shut-off due to overload, described above.
- The thermal load on the EMC line filter is reduced.

In multiple motor applications, i.e., a frequency inverter feeds several motors connected in parallel, you should try to minimize the effective cable capacity and/or the effective length of the shielded cable. You can achieve this by creating a neutral cross-connecting point from which you can supply all motors.

See to it that the shielding is maintained over the entire length of the cable, if possible, or is only very briefly interrupted. It is better to install this neutral cross-connecting point in a metal housing with as much HF damping as possible. The shield connection from/to the metal housing should again be made with the smallest possible HF impedance, as already described.

Chapter 4 – Further Notes

Influence of ground fault monitoring devices

In the line filter, capacitors are placed between the phases and ground, which can cause larger charge currents to flow to ground when the filter is first switched on. The amount of this flow has already been minimized by constructional circuit details. Nevertheless, ground fault monitoring devices possibly present may be triggered. Ground currents with high-frequency components and DC components may also flow under normal operating conditions. If faults occur, large DC-carrying ground currents may flow, possibly preventing the ground fault monitoring device from responding. For this reason, the use of ground fault monitoring devices is not recommended.

But should they be prescribed in certain applications for safety reasons, you should choose monitoring devices which are suited for DC, AC and HF ground currents. In addition, you should ensure that their responsiveness and time characteristics are adjustable, so that a disturbance is not immediately caused the first time the frequency inverter is switched on.

Components susceptible to interference

The following components must be classified as particularly susceptible to interference from electromagnetic fields. Special attention should therefore be paid to them during installation:

- Sensors with analog output voltages (< 1 volt)
- Load cells
- Tractive force meters
- Torque measuring hubs
- Resistance thermometer PT100
- Thermoelements
- Anemometers
- Piezoelectric sensors
- AM radios (only long and medium wave)
- Video cameras and TV sets
- Office PCs
- Capacitive proximity switches and filling level sensors
- Inductive proximity switches and metal detectors
- Ripple control transmitters, baby talkers, etc., i.e. all communication devices which use low-voltage systems as transmission medium
- Devices which do not comply with the pertinent EMC requirements

Chapter 5 – Technical Specifications and Dimensions of SJ700, SJ700B, SJ700D Filter

Type: Specification:	FS25108-10-07	FPFB-266-G-3-013	FS25108-28-07	FS25108-53-07	FS25108-64-07	FS25108-77-07	FS25108-125-07
Voltage in V	460 +5%	480 +10%	460 +5%	460 +5%	460 +5%	460+5%	460 +5%
Current in A at 40°C	3 x 10A	3 x 13A	3 x 28A	3 x 53A	3 x 64A	3 x 77A	3 x 125A
Leakage current in mA/phase/50Hz worst case ¹⁾	130	180	140	150	140	136	280
Leakage current in mA/phase/50Hz Un ²⁾	< 30	< 30	< 30	<30	<30	<30	<30
Test voltage in V DC for 2s ph./ph., ph./ground	2250 / 3000	2064 / 2064	2250 / 3000	2250 / 3000	2100 / 2650	2100 /2650	2100 / 2650
Dimensions Single wire / litze	AWG 10 / 4 mm ²	4 / 4 mm ²	AWG 6 / 10 mm ²	AWG 4 / 16 mm ²	AWG 2 / 25 mm ²	AWG 2 / 25 mm ²	AWG 1/0 / 50 mm ²
Output cable	3 x AWG16	3 x 2.5 mm ²	3 x AWG10	3 x AWG8	3 x AWG6	3 x AWG6	3 x AWG2
Weight in kg (approx.)	1.2	1.4	1.6	2.7	3.5	3.4	6.8
Heat dissipation in W (approx.)	8	12	15	30	38	34	79

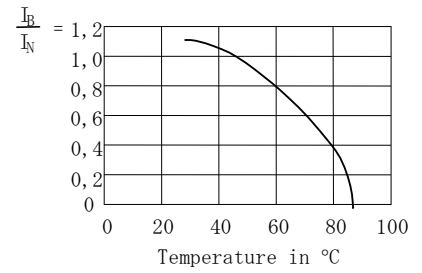
Type: Specification:	FS25108-149-07	BTFB-266-G-3-220	BTFB-266-G-3-260	FS25108-400-99	FS25108-462-99	FS25108-630-99	FS25108-840-99
Voltage in V	460 +5%	460 +5%	460 +5%	460 +5%	460 +5%	460+5%	460 +5%
Current in A at 40°C	3 x 149A	3 x 220A	3 x 260A	3 x400A	3 x462A	3 x 630A	3 x 840A
Leakage current in mA/phase/50Hz worst case ¹⁾	510	380	600	150	275	150	180
Leakage current in mA/phase/50Hz Un ²⁾	< 40	< 30	<30	<30	<30	<30	<30
Test voltage in V DC for 2s ph./ph., ph./ground	2250 / 2750	2064 / 2064	2064 / 2064	2250 / 2750	2250 / 2750	2250 / 2750	2250 / 2750
Dimensions Single wire / litze	AWG 4/0 / 95 mm ²	95 / 95 mm ²	150 / 150 mm ²	10.5mm hole	10.5mm hole	10.5mm hole	14mm hole
Output cable	3 x 50 mm ²	3x70 mm ²	3x95 mm ²	10.5mm hole	10.5mm hole	10.5mm hole	14mm hole
Weight in kg (approx.)	6.7	9.3	13.7	11	14.6	15	28
Heat dissipation in W (approx.)	47	60	50	69	120	124	127

1). “Worst case” states the leakage current for three-phase filters in the worst of cases. That means one phase is live and two phases of the feed-line lead-in are interrupted. These maximum values are based on an operating voltage of 460 V (ph./ph.).

2) The normal leakage current for three-phase filters is stated. This means the filter is operating on 460 V (ph./ph.). The stated values are adhered to up to a neutral voltage of 5V to ground caused by line unbalance.

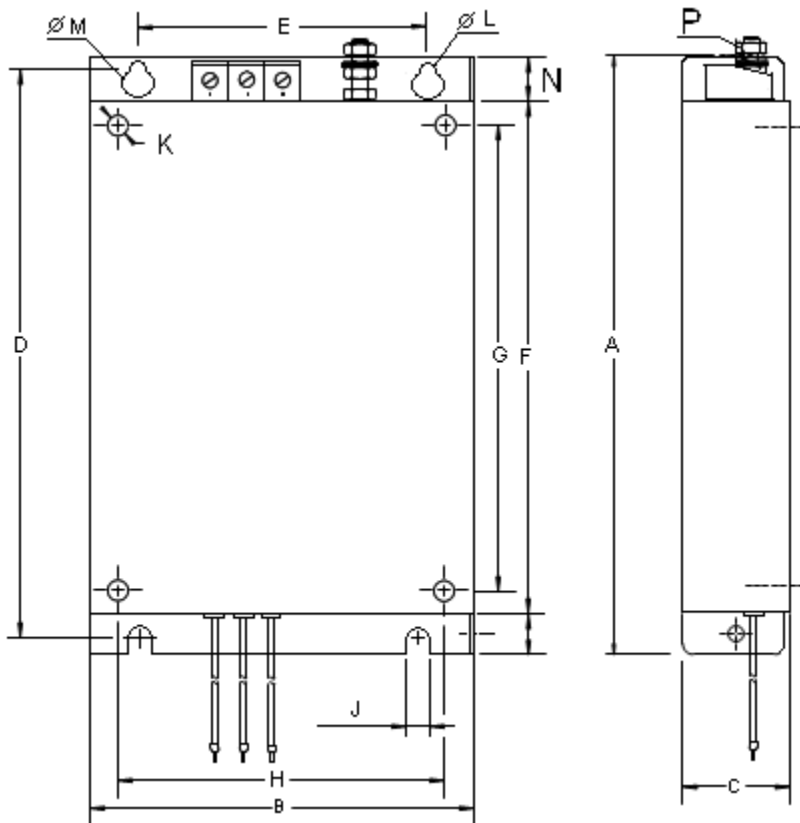
Current	at 50°C ambient temperature
Overload	1.5 x I _N for 1min
Frequency	50 / 60 Hz
Material	Steel, surface refined
Humidity class	C
Operation height	< 1000 m without derating; > 1000 m, I _N -2%, for each 1000m
Temperature range	-25°C through +85°C
Enclosure	Input terminals IP 20 and PE-holder M4 to M12. Load side: cable, unshielded.

Dependence of current on ambient temperature:



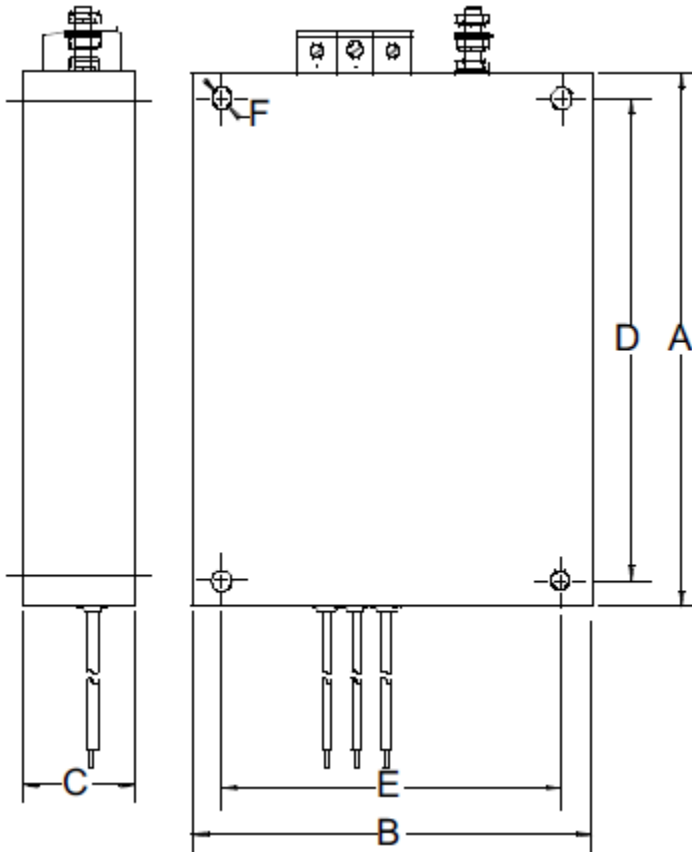
Dimensions Type 1 [mm]														
Model:	A	B	C	D	E	F	G	H	J	K	L	M	N	P
FS25108-10-07	288	150	30	275	110	255	241	130	5.5	M5	5.5	10	20	M4
FS25108-28-07	300	210	40	286	140	263	246	189	6.5	M6	6.5	12	22	M5
FS25108-53-07	435	250	50	422	160	394	376	229	6.5	M6	6.5	12	25	M6

Filter Type 1



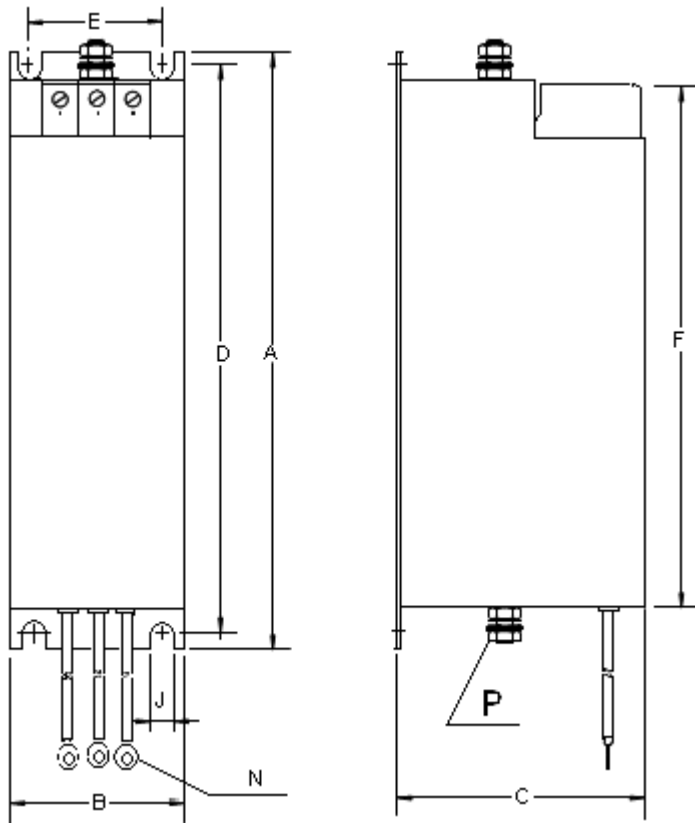
Dimensions Type 2 [mm]						
Model:	A	B	C	D	E	F
FPFB-266-G-3-013	255	143	29	241	130	4x6

Filter Type 2



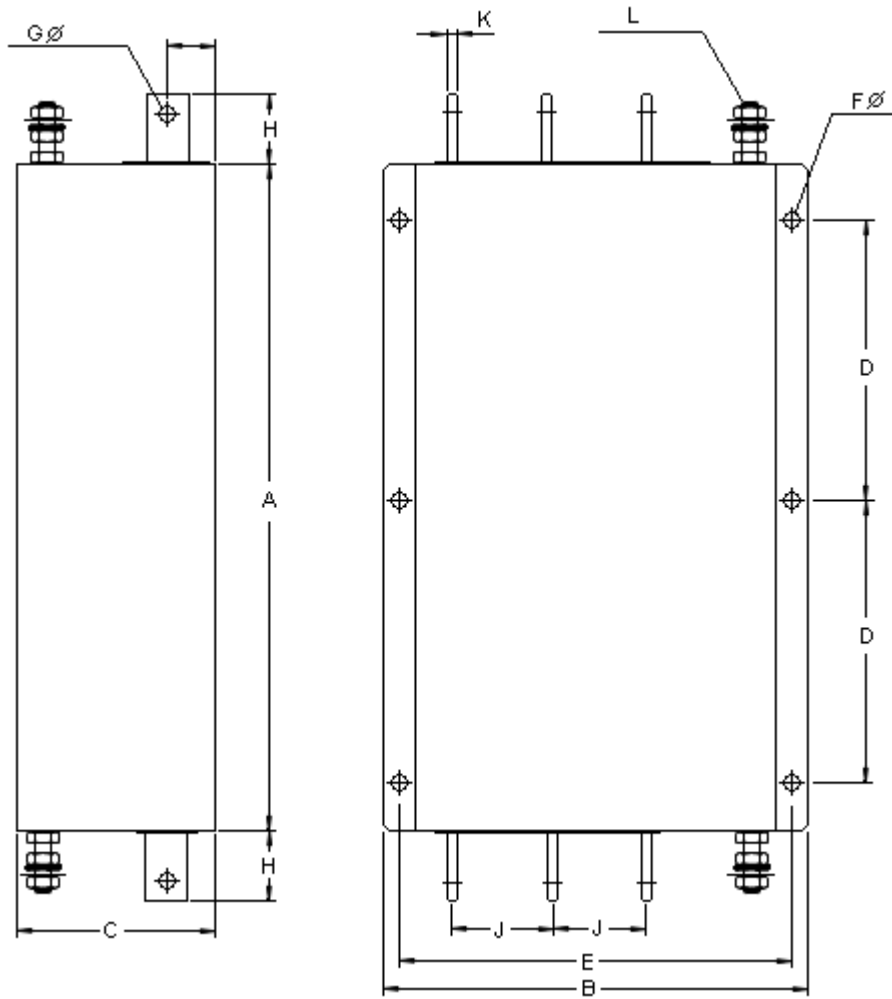
Dimensions Type 3 [mm]									
Model:	A	B	C	D	E	F	J	N	P
FS25108-64-07	320	80	135	305	60	290	6.5	M6	M8
FS25108-77-07	320	80	135	305	60	290	6.5	M6	M8
FS25108-125-07	450	80	140	435	60	420	6.5	M8	M10
FS25108-149-07	399	120	140	384	102	369	6.5	M8	M10
BTFB-266-G-3-220	525	130	94	505	105	390	9	M10	M10
BTFB-266-G-3-260	620	142	116	600	120	460	9	M10	M10

Filter Type 3



Dimensions Type 4 [mm]											
Model:	A	B	C	D	E	F	G	H	J	K	L
FS25108-400-99	452	275	135	180	250	12	10.5	40	60	6	M12
FS25108-462-99	452	275	135	180	250	12	10.5	40	60	6	M12
FS25108-630-99	452	275	135	180	250	12	10.5	40	60	8	M12
FS25108-840-99	490	280	170	200	255	12	14	50	60	8	M12

Filter Type 4



Chapter 6 – Harmonics “EN/IEC 61000-3-2 “ and “EN/IEC 61000-3-12”

Frequency converters, which are connected to the **public low voltage power supply** must comply with limits for harmonics currents. For equipment with input current $\leq 16\text{A}$ per phase, the limits according to EN/IEC 61000-3-2 are applied, and for equipment with input current $>16\text{A}$ and $\leq 75\text{A}$, the limits according to EN / IEC 61000-3-12 are applied. For professional equipment with a rated power $> 1\text{kW}$, no limits are defined in EN/IEC 61000-3-12.

This equipment complies with EN/IEC61000-3-12 provided that the short-circuit power S_{sc} is greater than or equal to the value provided in the table below at the interface point between the user's supply and the public system. It is the responsibility of the installer or user of the equipment to ensure, by consultation with the distribution network operator if necessary, that the equipment is connected only to a supply with a short-circuit power S_{sc} greater than or equal to the value mentioned in the table below.

Inverter model	AC/DC reactor	Norm	S_{sc}	R_{sce}
SJ700-075HFEF2 SJ700D-075HFEF3 (CT)	3% AC choke or 4% DC choke	EN/IEC61000-3-12	2054kVA	>120
SJ700-110HFEF2 SJ700D-110HFEF3 (CT)			2702kVA	>120
SJ700-150HFEF2 SJ700D-150HFEF3 (CT)			3459kVA	>120
SJ700-185HFEF2 SJ700D-185HFEF3 (CT)			4107kVA	>120
SJ700-220HFEF2 SJ700D-220HFEF3 (CT)			5188kVA	>120
SJ700-300HFEF2 SJ700D-300HFEF3 (CT)			6269kVA	>120
SJ700-370HFEF2 SJ700D-370HFEF3 (CT)			8106kVA	>120
SJ700B-075HFF SJ700D-055HFEF3 (VT)	3% AC choke or 4% DC choke	EN/IEC61000-3-12	1729kVA	>120
SJ700B-110HFF SJ700D-075HFEF3 (VT)			2378kVA	>120
SJ700B-150HFF SJ700D-110HFEF3 (VT)			3134kVA	>120
SJ700B-185HFF SJ700D-150HFEF3 (VT)			3999kVA	>120
SJ700B-220HFF SJ700D-185HFEF3 (VT)			4647kVA	>120
SJ700B-300HFF SJ700D-220HFEF3 (VT)			6161kVA	>120
SJ700B-370HFF SJ700D-300HFEF3 (VT)			7566kVA	>120

If these devices are connected without a AC/DC reactor to the public low voltage power supply, it must be obtained connection approval from the distribution network operator.